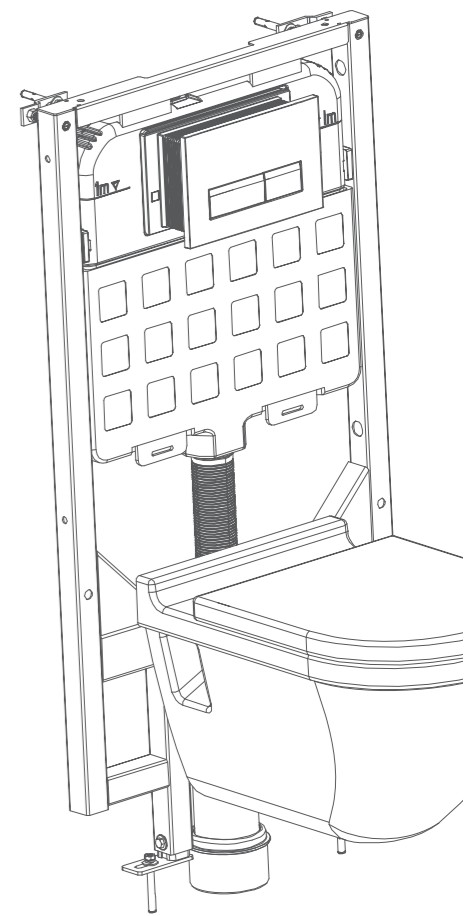


创新·创造价值  
— INNOVATION, CREATES VALUE —

[www.compas-plumbing.com](http://www.compas-plumbing.com)





ZY04系列

# C 目录 CONTENTS

COMPANY INTRODUCTION	03-04
FILL VALVE	05-25
FLUSH VALVE	27-47
CONCEALED CISTERN	49-52
INTELLIGENT TOILET	53-58
TOILET SEAT COVER	59-62
PLASTIC CISTERN	63
LEVER	64
PUSH BUTTON	65-66
BOLTS & GASKET	67-68
ACCESSORIES	69-71
PART OF HONORS	72



# COMPANY

## PROFILE /

COMPAS (Xiamen) Plumbing Technology Co.,Ltd was established in 2006, located in Jimei District, Xiamen city. Our products cover toilet tank fittings, concealed cistern and intelligent toilet. We build up healthy cooperative relationship with many domestic ceramic suppliers, export to more than 20 countries and regions around the world.

Our company has strong capability of independent research, design and development. Our products have US & CHINA invention patents. Our ANTI-DIRTY fill valve (self-cleaning, no manual cleaning) is the global pioneer which can be used in dirty water condition with sands and dirt. Our products own international certificates, including CQC、cUPC、CE、WRAS、WATERMARK、SIRIM、SASO. Insisting international first-class standard and improving quality control system, we follow ISO9001 strictly to promise our product are all with top quality.

We adhere to "Responsibility, Aggressive, Innovation, Share" values, through persistent products innovation, high standard production technology, improving quality control system and optimizing the company's management platform, aim to make us to be a worldwide enterprise with high reputation in sanitary field.

We hope to realize our company's social value through creating value for our customers constantly and developing together with our partners.



厦门康谱卫浴科技有限公司 (NUCA) 成立于 2006 年, 位于厦门集美区, 我司自主设计、开发和生产水箱配件、隐藏式 (入墙) 水箱和智能马桶三大类产品, 产品销往国内及全球 20 多个国家和地区。

我司拥有较强的自主设计、开发能力, 产品荣获多项美国及中国发明专利, 其中有我司自主知识产权的可用于含泥沙水质 (自清洁、免清洗) 水阀为全球首创。我司产品通过多项国际认证: CQC、cUPC、CE、WRAS、WATERMARK、SIRIM、SASO。国际一流标准, 完善品控体系, 严格按 ISO9001 体系进行管理可确保出厂的每一套产品均为高品质产品。

公司秉持“责任、进取、创新、分享”的价值观, 将通过持之以恒的产品创新、打造高标准的精益生产工艺, 不断提升品控体系, 持续优化公司的管理平台, 全力实现“把公司打造成为卫浴领域高美誉度的国际品牌企业”的愿景。

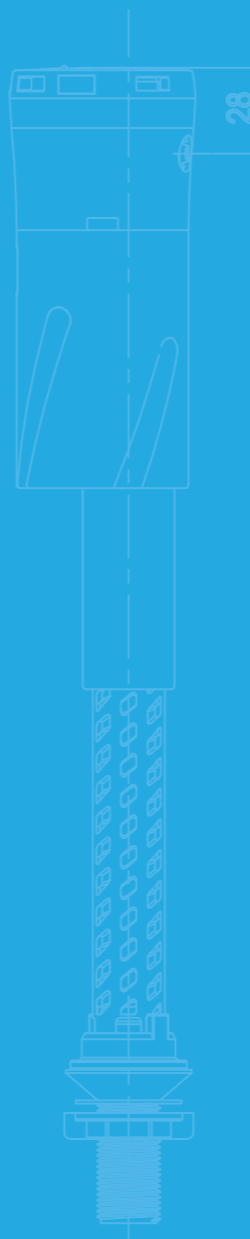
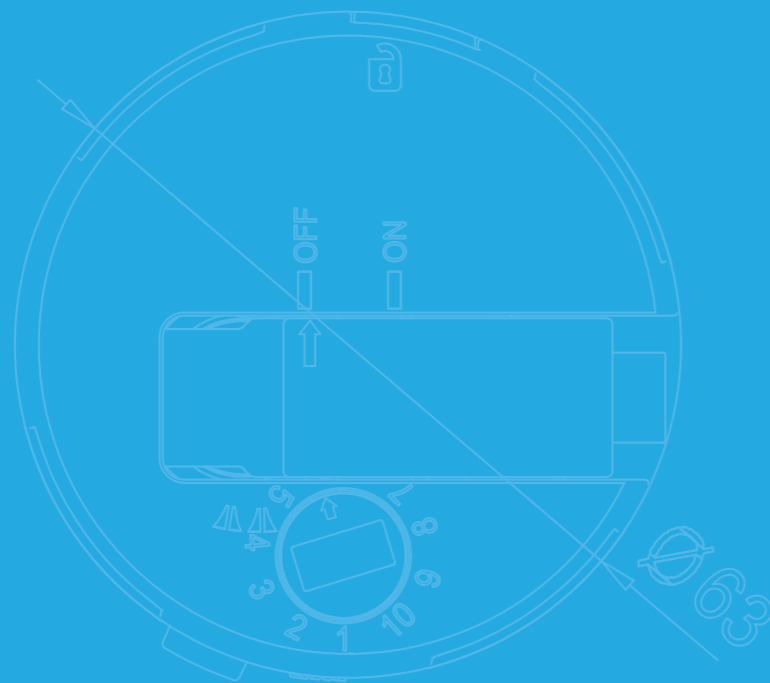
我们希望通过努力能不断地为客户创造价值, 与所有合作伙伴实现共赢发展, 最终实现企业的社会价值。



# SMART ANTI DIRTY FILL VALVE

Excellent performance in dirty water.  
Dirty water in and dirty water out without noise

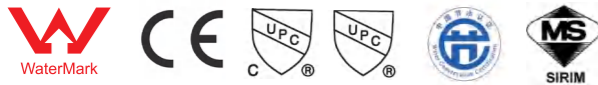
- China invention patent no.:L201510915181.5
- US invention patent no.:US9964225N2



- Excellent performance in dirty water.  
Dirty water in and dirty water out without noise

# US & CHINA Invention patent

## Easy Adjustment Anti-dirty Fill Valve



1 / Filter on top instead of on bottom where connects supply pipe, convenient to take off for cleaning.

2 / US&China invention patent. The global unique structure makes it work well and continuously even in the worst water condition



3 / Water level can be adjusted quickly, by holding the valve's upper part and moving it up or down, very convenient.



4 / The clip can be switched to two different positions for water level adjustment: filter on top for fast water level adjust, in middle for micro, moving the clip to bottom to fix water level.

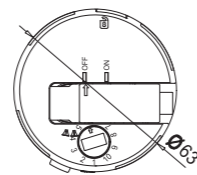


5 / The lock on top also plays the function as a key of water level micro adjustment. It can realize stepless adjustment.

6 / Extra silence. Only 16 db. In line with Eu's END Level 1 requirement.

7 / Filling fast even under low pressure. The filling rate is 5.2L/min under 0.05Mpa

8 / Smart size and inside sealing structure, can be suitable for different size and shape tanks.

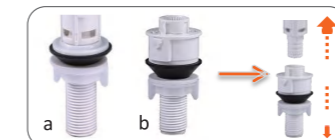


1 / Top inserted filter, convenient to take it out for cleaning



2 / Move down the clip, rotate and adjust the proper height as requirement

3 / Two kinds of base for option Normal or Separable type

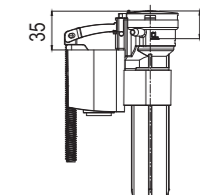


Easy for replacement

4 / Excellent work performance in dirty water, dirty water in and dirty water out



5 / Especially suitable for low tank. The shortest distance from working level to the top is only 35 (This shortest distance is 55mm as average in the market)

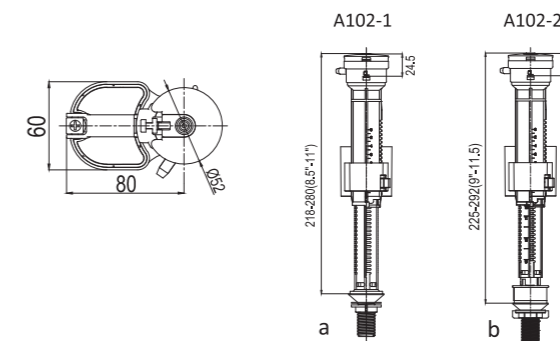
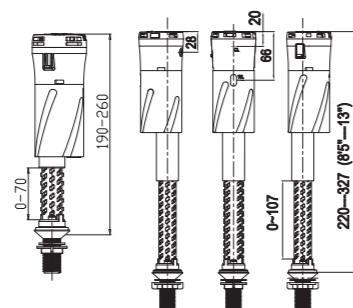


6 / US & China invention patent, Unique innovative water cut-off structure

7 / Wide working pressure: 0.01-2.0MPa  
Filling rate: 5.2L/min (under 0.05Mpa)

### Item No.: A109

Inlet way	Bottom Inlet
Installation height(H)	8.5-13"
Water Level(L)	165-270mm
Thread Size (Optional)	



### Item No. A102-1

Inlet Way	Bottom Inlet
Installation height(H)	7.7-10.3" / 8.5-11" / 10.5-13" / 11.5-14"
Water Level(L)	190-260 / 218-280 / 225-292 / 294-354
Thread Size (Optional)	



# ANTI-DIRTY Fill Valve



# BOTTOM Fill Valve



1 / Top inserted filter, convenient to take it out for cleaning



2 / Move down the clip, rotate and adjust the proper height according to tank's height

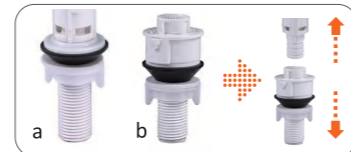
3 / Wide working pressure: 0.01-2.0MPa  
Filling rate: 5.2L/min (under 0.05Mpa)

4 / US&China Invention patent  
Unique innovative water cut-off structure.

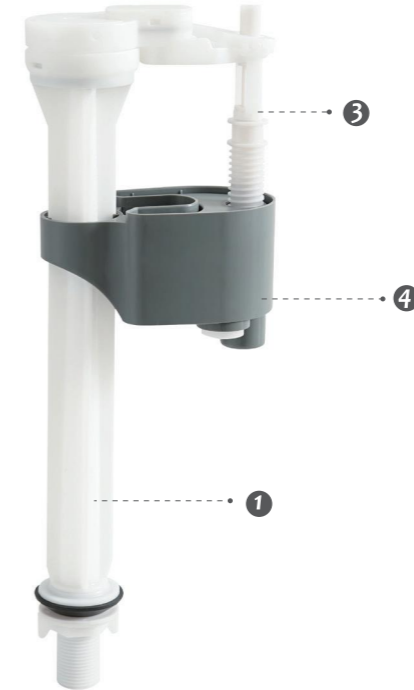


5 / Work very well in dirty water  
dirty water in and dirty water out

6 / Two kinds of base for option:  
Normal or Separable type

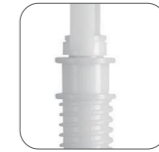


Easy for replacement



1 / Filter Screen, make sure good working performance under various water condition.

2 / Filling Rate: 3.5L/m at 0.2Bar  
Working pressure: 0.1-20Bar  
Stable water level: tolerance +/-2mm

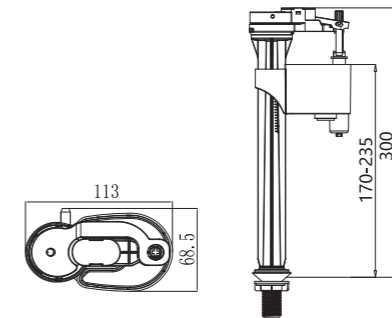
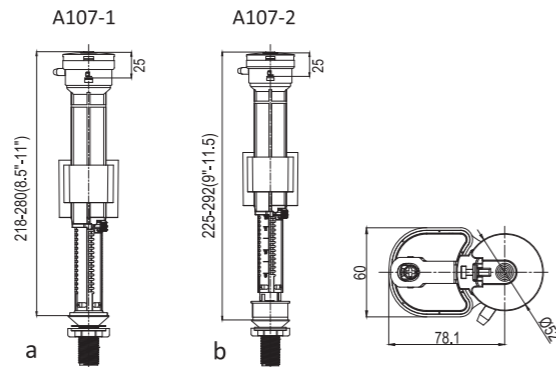


3 / Easy to adjust water level by rotating rod



4 / Two-piece float, stable working level, momentary shut-off

Item No. A107-1	
Inlet Way	Bottom Inlet
Installation height(H)	7.7-10.3" / 8.5-11" / 10.5-13" / 11.5-14"
Water Level(L)	190-260 / 218-280 / 225-292 / 294-354
Thread Size (Optional)	
G1/2" POM	G15/16" POM
G3/8" BRASS	G1/2" BRASS
G3/8" POM	



Item No.:A301	
Inlet way	Bottom Inlet
Installation height(H)	260mm / 300mm / 350mm
Water Level(L)	130-195 / 170-235 / 201-266
Thread Size (Optional)	
G1/2" POM	G1/2" Brass



# ADJUSTABLE Fill Valve



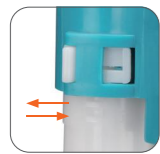
# ADJUSTABLE Fill Valve



1 / Pilot pin & Seal design  
Anti-siphon, and good  
pressure resistance  
0.1Bar to 16Bar



2 / Take out of the clip. Adjust  
the proper installation height  
according to tank's height.  
Adjustable height 7-10"



3 / Move the float  
lock, adjust the float at a  
suitable height, then  
adjust the inner float to  
adjust the water level.



4 / Adjustable refill rate: 0  
to 28% with  
plug in adapters



5 / POM material, not  
deformation or corrosion.

6 / Filter screen, can  
make sure good  
working performance  
under various water  
condition.



1 / Pilot pin & seal design  
Anti-siphon, and good  
pressure resistance 0.1Bar  
to 16Bar



2 / Take out of the clip. Adjust  
the proper installation height  
according to tanks 'h height.  
Adjustable height 9-12"



3 / Move the float  
lock, adjust the float at a  
suitable height, then adjust  
the inner float to adjust the  
water level.



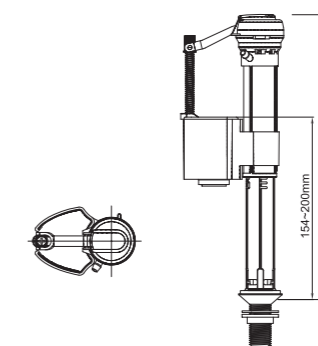
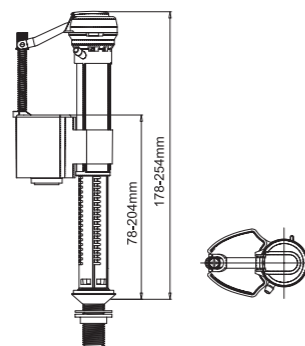
4 / Adjustable refill rate: 0  
to 28% with plug in  
adapters



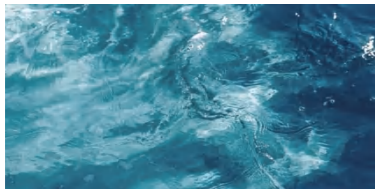
5 / POM material, not  
deformation or corrosion.

6 / Filter screen, can  
make sure good  
working performance  
under various water  
condition.

Item No. A1014PA	
Inlet Way	Bottom Inlet
Installation height(H)	7-10" / 9-12" / 10-13"
Water Level(L)	103-220mm
Thread Size (Optional)	
G1/2" POM	G15/16" POM
G3/8" Brass	G1/2" Brass



Item No. A1014PB	
Inlet Way	Bottom Inlet
Installation height(H)	7-10" / 9-12" / 10-13"
Water Level(L)	180-295mm
Thread Size (Optional)	
G3/8" POM	G1/2" POM
G15/16" POM	G3/8" Brass
G3/8" Brass	G1/2" Brass



# ADJUSTABLE Fill Valve



1 / Pilot pin & seal design  
Anti-siphon, and good  
pressure resistance  
0.1Bar to 16Bar



2 / Take out of the clip.  
Adjust the proper  
installation height according  
to tank's height. Adjustable  
height 7-10"



3 / Move the float  
lock, adjust the float at a  
suitable height, then adjust  
the inner float to adjust the  
water level.



4 / Two-piece float, quick to  
stop water under different  
working pressure.



5 / POM material, not  
deformation or corrosion.



6 / Filter screen, make sure good  
working performance under various  
water condition.



1 / Pilot pin & seal  
design Anti-siphon, and  
good pressure resistance  
0.1Bar to 16Bar



2 / Take out of the clip.  
Adjust the proper  
installation height  
according to tank's height.  
Adjustable height 10-13"



3 / Move the float  
lock, adjust the float at a  
suitable height, then  
adjust the inner float to  
adjust the water level.



4 / Two-piece float, quick  
to stop water under  
different working  
pressure.

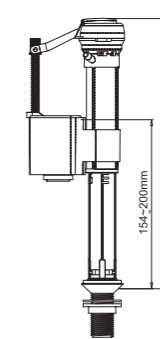
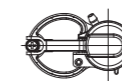
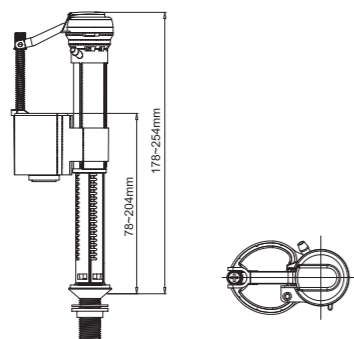


5 / POM material, not  
deformation or corrosion.



Filter screen, can make  
sure good working  
performance under  
various water condition.

Item No. A1014PA	
Inlet Way	Bottom Inlet
Installation height(H)	7-10"
Water Level(L)	103-220mm
Thread Size (Optional)	
G1/2" POM	G15/16" POM
G3/8" Brass	G1/2" Brass



Item No. A1016PC	
Inlet Way	Bottom Inlet
Installation height(H)	10-13"
Water Level(L)	180-295mm
Thread Size (Optional)	
G3/8" POM	G1/2" POM
G15/16" POM	G3/8" Brass
G1/2" Brass	

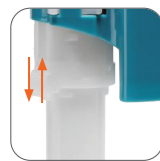




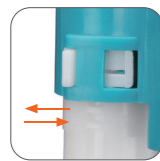
# ADJUSTABLE Fill Valve



1 / Pilot pin & seal design  
Anti-siphon, and good  
pressure resistance  
0.1Bar to 20Bar



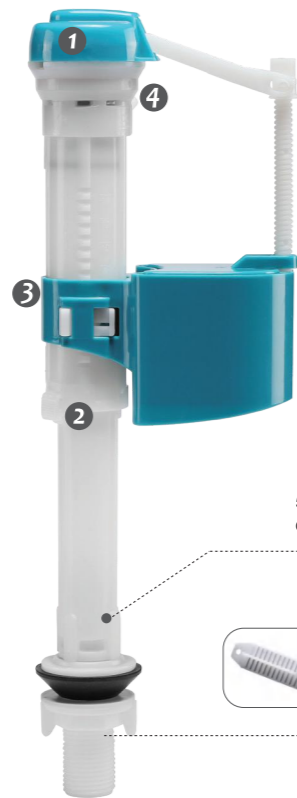
2 / No need to take out of the  
clip, just move the clip up and  
down to adjust the proper  
installation height according to  
tank's height. Adjustable  
height 7-10"/ 9-12"/ 10-13"



3 / Move the float lock, adjust  
the float at a suitable  
height, then adjust the inner  
float to adjust the water level.



4 / Adjustable refill  
rate: 0 to 28% with  
plug in adapters



5 / POM material, not  
deformation or corrosion.



6 / Filter screen, make sure  
good working performance  
under various water conditions.



1 / Move the fixing  
hoop upward, easily  
adjust the installation  
height



2 / Easy to adjust  
water level by  
rotating adjustment  
lever directly

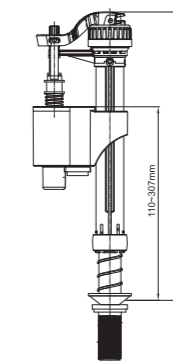
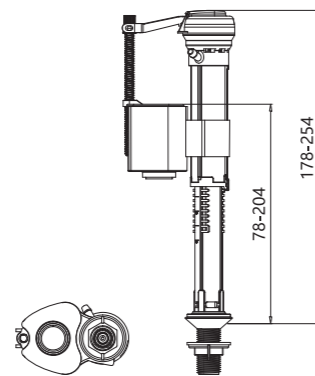


3 / Adjustable refill  
rate: 0 to 28% with  
plug in adapters



4 / Filter screen, make sure  
good working performance  
under various water condition

Item No. A1014P	
Inlet Way	Bottom Inlet
Installation height(H)	7-10" / 10-13" / 9-12"
Water Level(L)	103-220mm / 180-295mm
Thread Size(optional)	
G1/2" POM	G15/16" POM
G3/8" Brass	G1/2" Brass



Item No. A104	
Inlet Way	Bottom Inlet
Installation height(H)	H: 235-357 mm
Water Level(L)	L: 130-278 mm
Thread Size(optional)	
G3/8" POM	G1/2" POM
G3/8" Brass	



# BOTTOM Fill Valve

# BOTTOM Fill Valve

1 / The rod can be cut according to tank's height

2 / Special float to save space, especially suitable for small tank.

3 / Adjust the water level by moving the float height

4 / Different design with different water pressure, assuring stop water quickly.

5 / Adjustable refill rate: 0 to 28% with plug in adapters

6 / Filter screen, make sure good working performance under various water condition

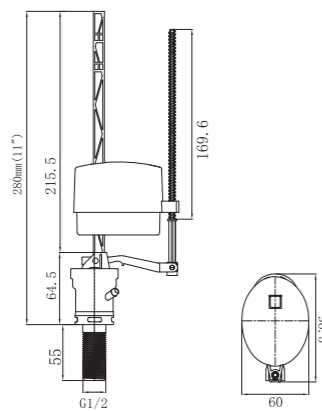
1 / Gear design, you can adjust at any water level height

2 / Filter screen, make sure good working performance under various water condition

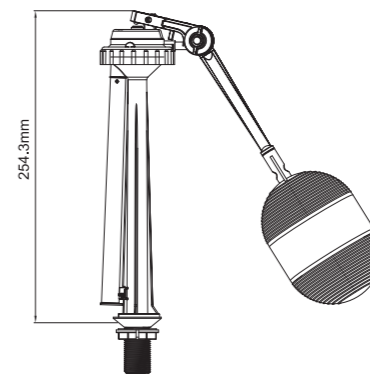
3 / Adjustable refill rate: 0 to 28% with plug in adapters



Item No. A401	
Inlet Way	Bottom Inlet
Installation height(H)	130-283mm
Water Level(L)	159-342mm
Thread Size(optional)	
G1/2" POM	G15/16" POM



No.A402



Item No. A501	
Inlet Way	Bottom Inlet
Installation height(H)	254.3 mm
Water Level(L)	95-125mm
Thread Size(optional)	
G1/2" POM	G15/16" POM

**US & CHINA**  
Invention patent

**Anti-dirty**  
Fill Valve

**WRAS**  
Water Regulations Advisory Scheme

**SIDE FILL**  
Valve



1 / Top inserted filter, convenient to take it out for cleaning



2 / The key and the filter are linked together.



3 / 1-pc float design easy to adjust, Water level stability: ±2mm



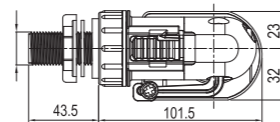
4 / Excellent work performance even in dirty water. Dirty water in and dirty water out



5 / Fast filling rate of 2.2L/M at 0.01mpa, especially good for low pressure area

6 / US & China Invention Patent, unique innovative water cut-off structure.

7 / Wide work pressure: 0.01-2.0MPa; Filling rate: 5.2L/min (under 0.05Mpa)



1 / Easy to adjust water level by rotating rod



2 / Side entry, quick water filling

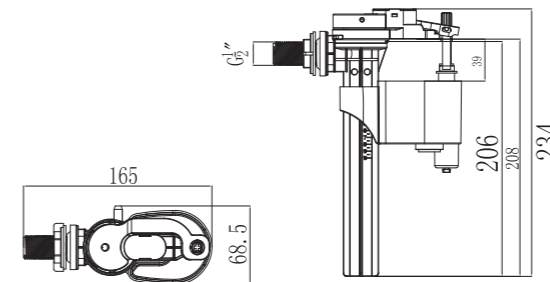
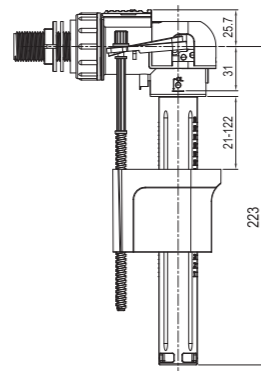


3 / Two-piece float, stable working level, momentary shut-off

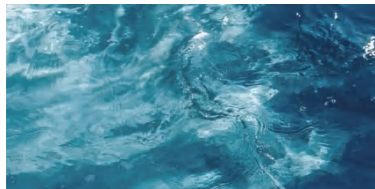
4 / Filling Rate: 3.5L/m at 0.2Bar  
Working pressure: 0.1-20Bar

5 / Stable water level: tolerance +/-2mm

Item No.:A210	
Inlet way	Side Inlet
Installation height(H)	248mm
Water Level(L)	0-108mm
Thread Size(optional)	
G3/8" POM	G1/2" POM
G3/8" Brass	G1/2" Brass



Item No.:A211	
Inlet way	side Inlet
Installation height(H)	234mm
Water Level(L)	124-190mm
Thread Size (Optional)	
G3/8" POM	G1/2" POM
G3/8" Brass	G1/2" Brass



# 2 in 1 SMART Fill Valve



**SIDE**  
Fill Valve



5 / Two-piece float, quick to stop water. Two-piece float to ensure stable water level.

1 / move the fixing hoop upward, easily adjust the installation height

2 / Easy to adjust water level by rotating adjustment lever directly

3 / Adjustable refill rate: 0 to 28% with plug in adapters

4 / Filter screen. Can make sure good working performance under various water condition

Can be assembled as bottom fill valve.



1 / Easy to adjust water level by rotating rod.



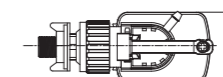
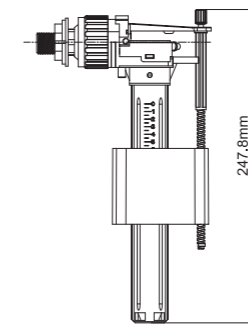
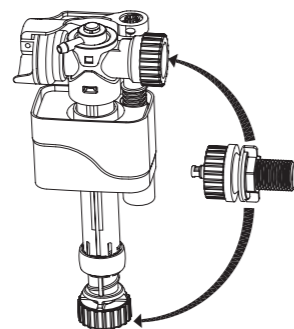
2 / Adjustable refill rate: 0 to 28% with plug in adapters



3 / Filter screen, make sure good working performance under various water condition



Item No. A6014	
Inlet Way	Bottom or Side Inlet
Installation height(H)	226mm
Water Level(L)	0-48mm
Thread Size(optional)	
G3/8" POM	G1/2" POM
G3/8" Brass	G1/2" Brass



Item No. A201	
Inlet Way	Side Inlet
Installation height(H)	254mm
Water Level(L)	0-60mm
Thread Size(optional)	
G3/8" POM	G1/2" POM
G3/8" Brass	G1/2" Brass



# ADJUSTABLE Fill Valve



3 / Special structure for quiet filling.



1 / Easy adjustment on water level, by adjusting rod directly



4 / Adjustable refill rate: 0 to 28% with plug in adapters



5 / Filter screen, make sure good working performance under various water condition

2 / Two-piece float, quick to stop water. Two-piece float to ensure stable water level.



1 / Move the fixing hoop upward, easily adjust the installation height



2 / PP float or polyform float for optional

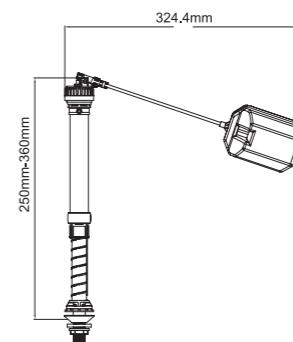
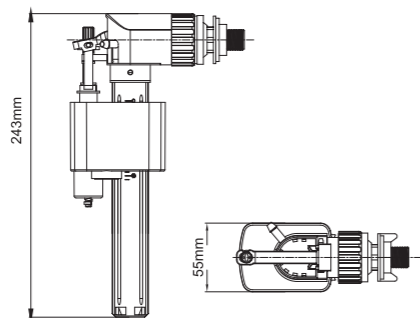


3 / Stainless Steel rod and brass rod for option

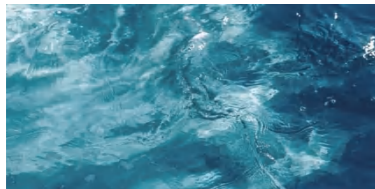


4 / Filter screen, make sure good working performance under various water condition

Item No. A202	
Inlet Way	Side Inlet
Installation height(H)	0-60mm
Water Level(L)	245mm
Thread Size(optional)	
G3/8" POM	G1/2" POM
G3/8" Brass	G1/2" Brass



Item No. A103	
Inlet Way	Bottom Inlet
Installation height(H)	250-360 mm
Water Level(L)	256-350mm
Thread Size (optional)	
G3/8" POM	G1/2" POM
G3/8" Brass	



# SIDE Fill Valve



1 / PP float or polyform float for option

2 / Stainless Steel rod and brass rod for option



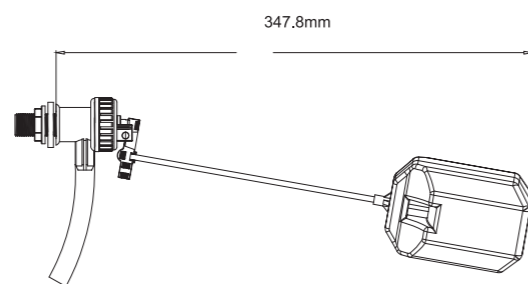
3 / Filter screen, make sure good working performance under various water condition



Special water-saving design ensures stable discharge under different water pressure.

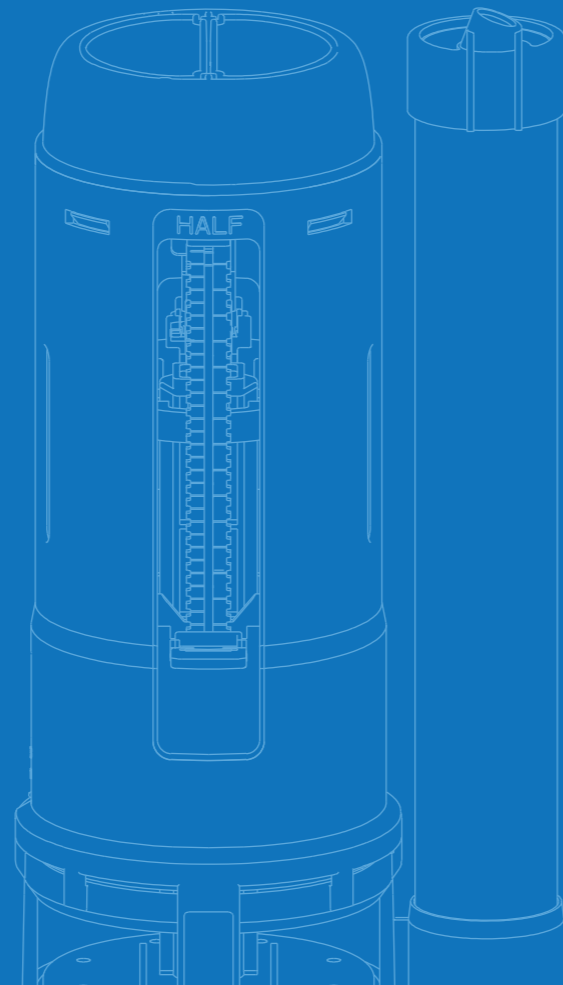
特殊节水设计，在不同水压下保证稳定的排水量。

Item No. A203	
Inlet Way	Side Inlet
Installation height(H)	203mm
Water Level(L)	190-248mm
Thread Size(optional)	
G3/8\"/> POM	G3/8\"/> Brass



# STABLE VOLUME FLUSH VALVE

Accurate And Rapid



- ACCURATE FLUSHING Stability, tolerance  $\pm 2\text{mm}$
- FAST FLUSHING 4.0L/S flushing rate (residual WL 135mm)
- WIDE ADJUSTABLE RANGE Stepless adjust range suitable for more tanks

# Sensor Dual flush valve

## HOT TREND



1 / Touchless flush actuation  
Manual mode for option

2 / Power AA alkaline battery, 4pcs  
Battery Endurance: No less than 40,000 cycles

3 / Can replace common flush valve and push button

**4 / SENSOR MODE**  
Wave hand over sensor window for half flush. Still hand over sensor window for full flush

**5 / FLUSHING RATE**  
2.5-3.0L/S for 2" flush valve  
3.5-4.5L / S for 3" flush valve

**6 / SENSOR BUTTON**  
Dia 38mm / 48mm/58mm optional  
Hand-free dual flush



# DUAL FLUSH VALVE

Flushing stability +/-2mm



2 / Adjustable overflow pipe for option: height available 20-28cm, 20-33cm

3 / Cap hole for fixing refill tube

4 / Works together to adjust full flush volume from 45mm to 140mm (95mm wide range). The average range is 30mm in market.



5 / Half flush adjust from 91mm to 164mm, 50mm overlap with full flush



6 / Silicon seal rubber, anti-leak at various water condition and various water temperature



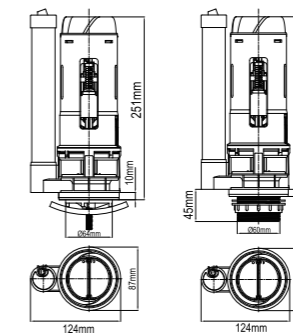
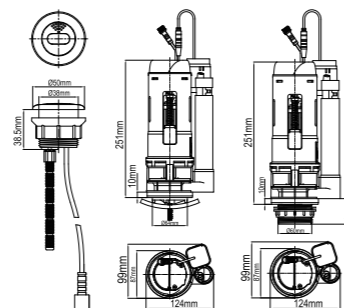
1 / Full flush, Partial flush  
Soft touch only 12N to realize flushing

7 / Fast flushing rate: 3.0L / s

Different bases for selection



Item No. C241		
Outlet size:	2" / 3"	
Residual water level	Full flush	45-140MM 2"
		35-60MM 3"
	Half flush	91-164MM 2"
		60-145MM 3"
For Toilet	1-pc / 2-pc toilet	
Installation height	2"	25cm / 29cm



Item No. C212		
Outlet Size	2"	
In Proper Cistern Tank (Height)	290-470mm	
Residual Water Level	Full Flush	45-140mm
	Half Flush	91-164mm
For Toilet	1 Piece Toilet / 2 Piece Toilet	
Overflow Pipe	Fixed Height: As Per Customized	
	Adjustable Height For Option	



# DUAL flush valve



# DUAL Flush vale

1 / Partial flush, Full flush

2 / Adjustable overflow pipe for option: height available 20-28cm, 20-33cm

3 / Cap hole for fixing refill tube

4 / Partial flush float, when moving up, the flush volume decrease

5 / Full flush adjustment sheet, when moving up, the flush volume decrease

6 / Silicon Rubber seal for long life time

Partial flush, Full flush

1 / Partial flush, Full flush

2 / Adjustable overflow pipe for option: height available 20-28cm, 20-33cm

3 / Cap hole for fixing refill tube

4 / Partial flush float, when moving up, the flush volume decrease

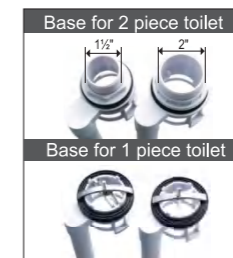
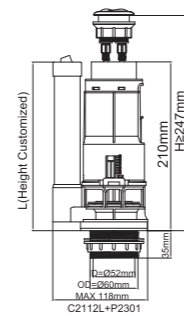
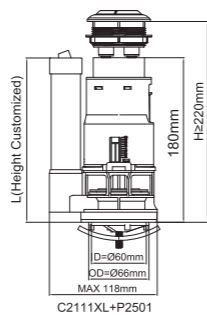
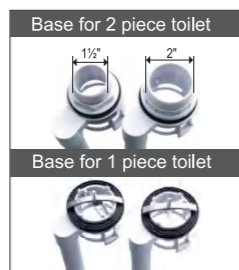
5 / Full flush adjustment sheet, when moving up, the flush volume decrease

6 / Silicon Rubber seal for long life time

7 / Bracket with push button for option.

P2303 P2305

Item No. C2111XL	
Outlet Size	2" / 1.5"
In Proper Cistern Tank (Height)	220~270mm
Residual Water Level	Full Flush 38-64mm
	Half Flush 85-110mm
For Toilet	1 Piece Toilet / 2 Piece Toilet
Overflow Pipe	Fixed Height: As Per Customized
	Adjustable Height For Option



Item No. C2112L	
Outlet Size	2" / 1.5"
In Proper Cistern Tank (Height)	250~300mm
Residual Water Level	Full Flush 35-65mm
	Half Flush 90-140mm
For Toilet	1 Piece Toilet / 2 Piece Toilet
Overflow Pipe	Fixed Height: As Per Customized
	Adjustable Height For Option

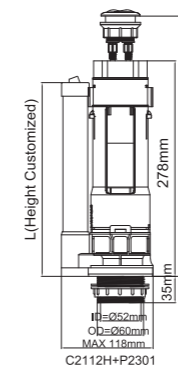
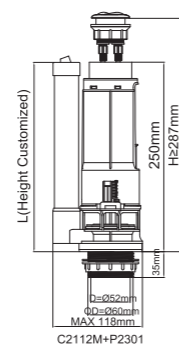
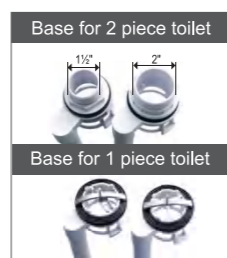
# DUAL flush valve



# DUAL Flush vale



Item No. C2112M		
Outlet Size	2" / 1.5"	
In Proper Cistern Tank (Height)	290~340mm	
Residual Water Level	Full Flush	35-65mm
	Half Flush	88-180mm
For Toilet	1 Piece Toilet / 2 Piece Toilet	
Overflow Pipe	Fixed Height: As Per Customized	
	Adjustable Height For Option	



Item No. C2112H		
Outlet Size	2" / 1.5"	
In Proper Cistern Tank (Height)	320~370mm	
Residual Water Level	Full Flush	37-66mm
	Half Flush	85-180mm
For Toilet	1 Piece Toilet / 2 Piece Toilet	
Overflow Pipe	Fixed Height: As Per Customized	
	Adjustable Height For Option	

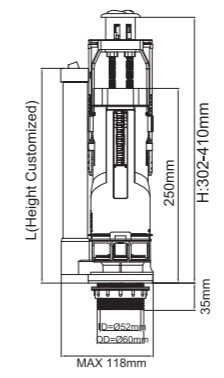
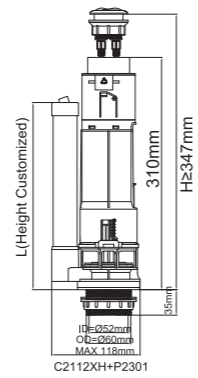
# DUAL flush valve



**BRACKET**  
flush valve



Item No. C2112XH		
Outlet Size	2" / 1.5"	
In Proper Cistern Tank (Height)	350-400mm	
Residual Water Level	Full Flush	36-65mm
	Half Flush	87-185mm
For Toilet	1 Piece Toilet / 2 Piece Toilet	
Overflow Pipe	Fixed Height: As Per Customized	
	Adjustable Height For Option	

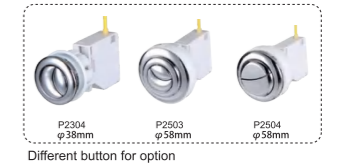


Item No. C2212M+P2303			
Outlet Size	2" / 1.5"	1 piece toilet / 2piece toilet	
		Residual water level	
	In Proper Cistern Tank (Height)	Full Flush	Half Flush
C2212L+P2303	250-300cm	35-65mm	90-140mm
C2212M+P2303	290-340cm	35-65mm	88-180mm
C2212H+P2303	320-370cm	37-66mm	85-180mm
C2212XH+P2303	350-400cm	36-65mm	87-185mm
Overflow Pipe	Fixed Height: As Per Customized		
	Adjustable Height For Option		

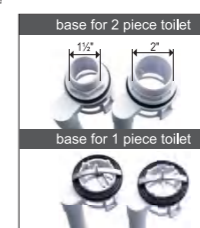
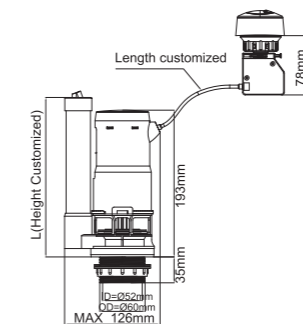
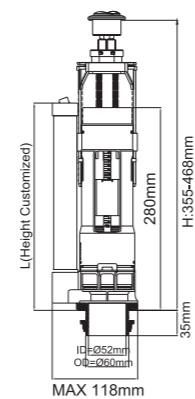
# BRACKET DUAL Flush vane



# CABLE DUAL flush valve



Item No. C2212H+P2305			
Outlet Size	2" / 1.5"	1 piece toilet / 2 piece toilet	
	In Proper Cistern Tank (Height)	Residual water level	
		Full Flush	Half Flush
C2212L+P2305	250-300cm	35-65mm	90-140mm
C2212M+P2305	290-340cm	35-65mm	88-180mm
C2212H+P2305	320-370cm	37-66mm	85-180mm
C2212XH+P2305	350-400cm	36-65mm	87-185mm
Overflow Pipe	Fixed Height: As Per Customized		
	Adjustable Height For Option		



Item No. C2312+P2302		
Outlet Size	2" / 1.5"	
Residual Water Level	Full Flush	31-67mm
	Half Flush	75-132mm
For Toilet	1 Piece Toilet / 2 Piece Toilet	
Overflow Pipe	Fixed Height: As Per Customized	
	Adjustable Height For Option	

# CABLE DUAL Flush vale



# CABLE DUAL Flush vale

- 1 / Adjustable overflow pipe for option: height available 20-28cm, 20-33cm
- 2 / Partial flush float, when moving up, the flush volume decrease
- 3 / Full flush adjustment sheet, when moving up, the flush volume decrease
- 5 / New construction of control box to absorb stainless steel wire unstability caused by different weather conditions.



4 / Silicon seal rubber, anti-leak at various water condition and various water temperature



7 / Separable 3 pieces base available for option Easy to install without tank removal.



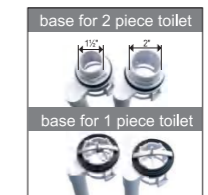
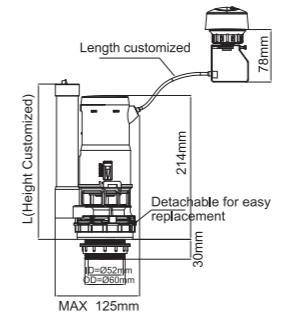
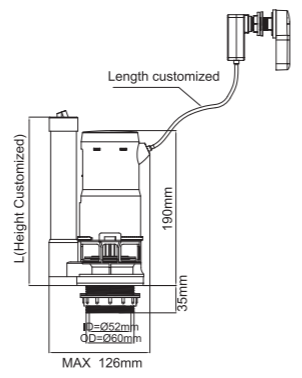
6 / New construction of control box to absorb stainless steel wire unstability caused by different weather conditions.

5 / Silicon seal rubber, anti-leak at various water condition and various water temperature

1 / Unique design provides easy installation and maintenance

- 2 / Adjustable overflow pipe for option: height available 20-28cm, 20-33cm
- 3 / Partial flush float, when moving up, the flush volume decrease
- 4 / Full flush adjustment sheet, when moving up, the flush volume decrease

Item No. C2321+L1004		
Outlet Size	2" / 1.5"	
Residual Water Level	Full Flush	32-67mm
	Half Flush	70-133mm
For Toilet	1 Piece Toilet / 2 Piece Toilet	
Overflow Pipe	Fixed Height: As Per Customized	
	Adjustable Height For Option	



Item No. C2312.C2+P2302		
Outlet Size	2"	
Residual Water Level	Full Flush	55-88mm
	Half Flush	96-152mm
For Toilet	2 Piece Toilet	
Overflow Pipe	Fixed Height: As Per Customized	
	Adjustable Height For Option	

# 3" DUAL Flush valve

# SINGLE flush valve



2 / Adjustable overflow pipe for option: height available 20-28cm, 20-33cm

3 / Cap hole for fixing refill tube

4 / Partial flush float, when moving up, the flush volume decrease

5 / Full flush adjustment sheet, when moving up, the flush volume decrease

Different bases for selection



1 / Full flush, Partial flush

6 / Silicon seal rubber, anti-leak at various water condition and various water temperature

Micro half adjustment piece at the bottom  
Standard full adjustment piece on the backside  
More adjustment devices to set the flush volume exactly per your need

3 / Cap hole for fixing refill tube



1 / Push button

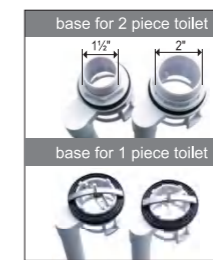
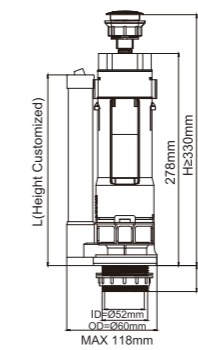
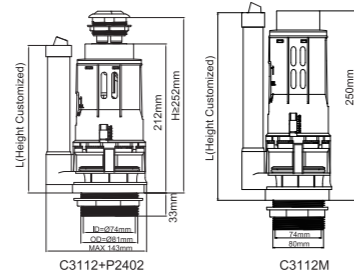
2 / Adjustable overflow pipe for option: height available 20-28cm, 20-33cm

4 / Half flush float, when moving up, the flush volume decrease

5 / Silicon, anti-leak at various water condition and various water temperature



Item No. C3112	
Outlet Size	3"
In Proper Cistern Tank (Height)	250-300mm
Residual Water Level	Full Flush 35-60mm
	Half Flush 60-145mm
For Toilet	1 Piece Toilet / 2 Piece Toilet
Overflow Pipe	Fixed Height: As Per Customized
	Adjustable Height For Option



Item No. D2112M	
Outlet Size	2" / 1.5"
In Proper Cistern Tank (Height)	250-370mm
Residual Water Level	80-180mm
For Toilet	1 Piece Toilet / 2 Piece Toilet
Overflow Pipe	Fixed Height: As Per Customized
	Adjustable Height For Option

# SINGLE flush valve



# SINGLE Flush vale



1 / Silicon seal rubber, anti-leak at various water condition and various water temperature

2 / Stainless steel chain, plastic chain for option

3 / PVC flapper for option



PVC Flapper available for option



1 / Silicon seal rubber, anti-leak at various water condition and various water temperature

2 / Stainless steel chain.



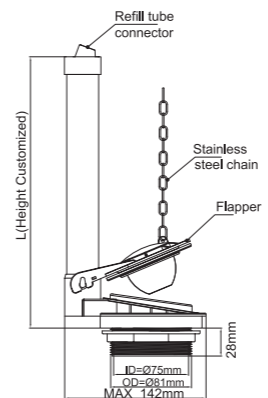
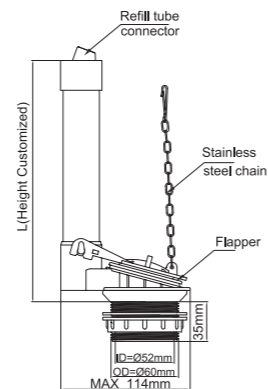
3 / Rubber flapper for option



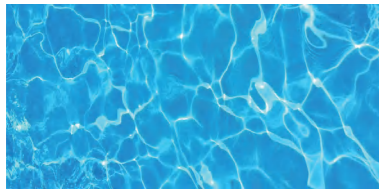
Float available for option to reduce residual water level, suitable for more tanks.



Item No. D2212	
Outlet Size	2"
Residual Water Level	55mm
For Toilet	1 Piece Toilet / 2 Piece Toilet
Overflow Pipe	Fixed Height: As Per Customized
	Adjustable Height For Option



Item No. D3212	
Outlet Size	3"
Residual Water Level	65mm
For Toilet	1 Piece Toilet / 2 Piece Toilet
Overflow Pipe	Fixed Height: As Per Customized
	Adjustable Height For Option



# SINGLE flush valve

# SINGLE Flush vale

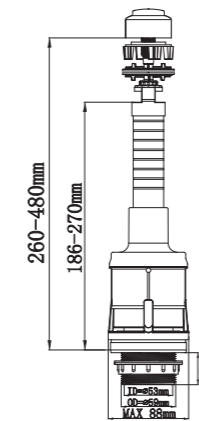
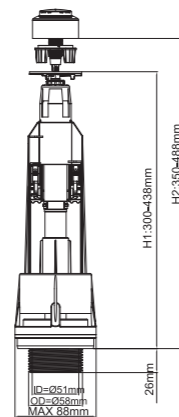


- 1 / Adjust the height of push button by turning the rod
- 2 / Classical single flush valve, European style
- 3 / Soft touch design, just need soft push to be activated

- 1 / Short travel distance(12mm) of push button,only 3N soft touch can realize flushing.
- 2 / Thread type connection base,convenient disassembly,wide suitability,match with similar products from other brands.
- 3 / Stable flushing volume,water level difference is  $\pm 3\text{mm}$
- 4 / Fast flushing flow rate, 2.2L/S.
- 5 / Lowest working water level 120mm,especially suitable for big tank.
- 6 / Overflow tube in the middle, suitable for small tank.
- 7 / Height from the bottom to the overflow hole can be adjusted from 186mm to 270mm

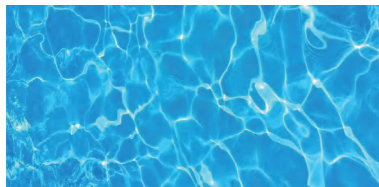


Item No. D2412+P1303	
Outlet Size	2"
In Proper Cistern Tank (Height)	350~480mm
Residual Water Level	35mm
For Toilet	2 Piece Toilet
Overflow Pipe	Fixed Height



Item No. D2612+P1303	
Outlet Size	2"
In proper Cistern Tank (Height)	260-480mm
Residual Water Level	70mm
For Toilet	2 Piece Toilet
Overflow pipe	Fixed Height





# TOP-PULL Flush valve

1 / Top pull type,soft hand feeling,only 4N can activate flushing

2 / Lid lock design,suitable for lid hole ranging from 15-40mm in diameter

3 / Stable flushing volume,water level difference is ±3mm

4 / Fast flushing flow rate,2.4L/S

5 / Overflow tube in the middle,height from bottom to overflow hole can be adjusted from 163-263mm



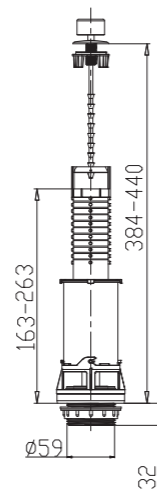
Similar model



Stable performance, long-term perfect sealing, non-leakage in various water quality and temperature

产品性能稳定，在各种水质和温度下可长期保持高强密封性，无渗漏。

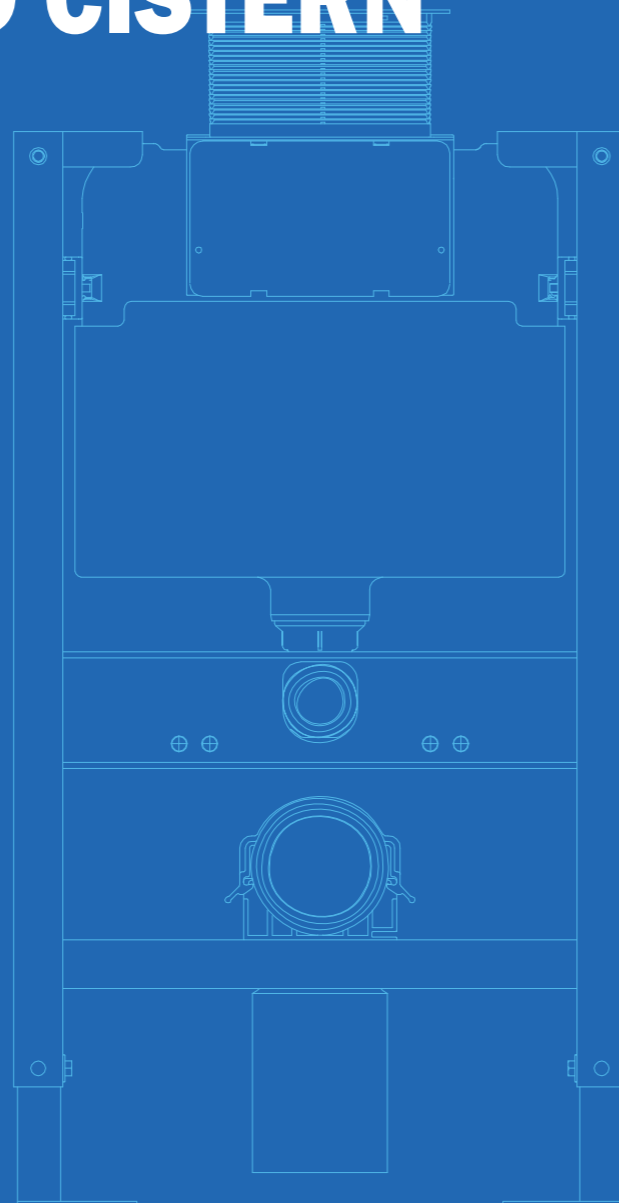
Item No. EG206	
Outlet Size	2"
In proper Cistern Tank (Height)	264-440mm
Residual Water Level	85mm
For Toilet	2 Piece Toilet
Outlet Size	in middle, 80mm adjustable range



# CONCEALED CISTERN

(Inside the wall)

Special structure design, feel soft, can be comparable with hydraulic type press effect.



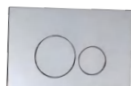
- Pneumatic type for option, the installation mode can be changed from wall front installation to remote installation.



# CONCEALED cistern



## Panels for option

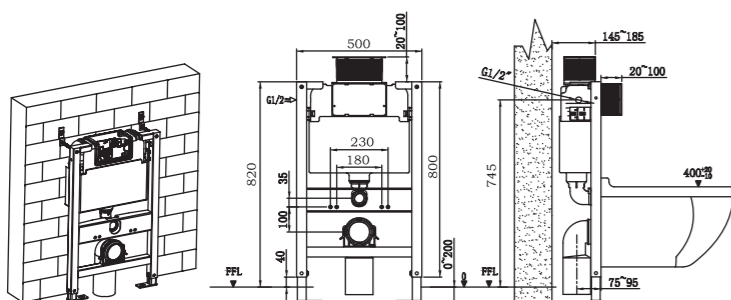


inside flushing mechanism  
内配水件



- 1 / Push button panel can be installed as top push or side push.  
按钮面板可做前按或顶按。
- 2 / Adapted to panels from other brands.  
可与其他品牌面板互配。
- 3 / Unique structure design, soft press stress is only 8N, can be comparable with hydraulic type press stress.  
特殊的结构设计, 按钮手感轻, 8N便可实现冲刷, 可与液压式冲刷效果媲美。
- 4 / Special flushing design, faster flushing rate of 2.1L/S.  
独特的排水设计, 可实现2.1L/S的排速。
- 5 / Wide full flush and half flush adjustment range, can meet various water volume requirements. (full flush adjustment range: 50MM, half flush adjustment range: 25MM). Max flush volume is 6.5L.  
全半排调节范围大, 可满足不同排水量的要求。(全排调节范围: 50MM; 半排调节范围: 25MM)。最大排水量可达6.5L。
- 6 / Adapted to pneumatic controlled flush valve, installation can be changed from wall install to remote install.  
气动驱动可选, 安装方式可由墙前安装改成远程安装。
- 7 / Weight-bearing: 400KGS.  
最大支撑重量: 400KGS。
- 8 / Applicable to wall-hung WC with fixed distance 180mm or 230mm.  
适用于固定间距为180MM或230MM的挂墙坐便器。
- 9 / Tank thickness 120mm, with heat-resisting and anti-condensation protection function.  
水箱厚度120MM, 具有耐热和抗凝固功能。
- 10 / Baking finish frame height 820mm, corrosion-resistant zinc coated supporting leg with adjustable size 0-200mm.  
铁烤漆外框, 耐腐蚀, 高度820MM。支撑脚镀锌环保涂层, 调节范围0-200MM。

## Item No. N5101



- 1 / Adapted to panels from other brands  
可与其他品牌面板互配
- 2 / Special structure design, soft press stress is only 13N, can be comparable with hydraulic type press stress.  
特殊的结构设计, 按钮手感轻盈, 13N便可实现冲刷, 可与液压式冲刷效果媲美。
- 3 / Unique flushing design, faster flushing flow rate of 2.2L/S.  
独特的排水设计, 可实现2.2L/S的排速。
- 4 / Flush volume can be adjustable into two options, 6/3L or 4.5/3L. Max flush volume is 7.5L. Wide full flush volume adjustment range 1.4l, and half flush volume adjustment range 1.1L.  
冲水量可调节为6/3L, 或者4.5/3L两种。最大冲水量可达7.5L。全排冲水量范围1.4L; 半排冲水量调节范围1.1L。
- 5 / Adapted to pneumatic controlled flush valve, installation can be changed from wall install to remote install.  
气动驱动可选, 安装方式可由墙前安装改成远程安装。
- 6 / Weight-bearing: 400KGS.  
最大支撑重量: 400KGS。
- 7 / Applicable to Wall-hung WC with fixed distance 180mm or 230mm.  
适用于固定间距为180MM或230MM的挂墙座便器。
- 8 / Tank thickness 80mm, with heat-resisting and anti-condensation protection function.  
水箱厚度80MM, 具有耐热和抗凝固功能。
- 9 / Baking finish frame height 1140mm, corrosion-resistant zinc coated supporting leg with adjustable size 0-200mm.  
铁烤漆外框, 耐腐蚀, 高度1140mm。支撑脚镀锌环保涂层, 调节范围0-200mm。

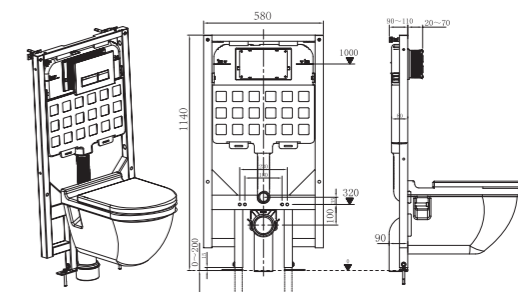
## Panels for option



inside flushing mechanism  
内配水件



## Item No. N5103



# BUILT-IN TANK INTELLIGENT TOILET

Minimalist Design, Make Our Life Simple

Mechanical flushing system

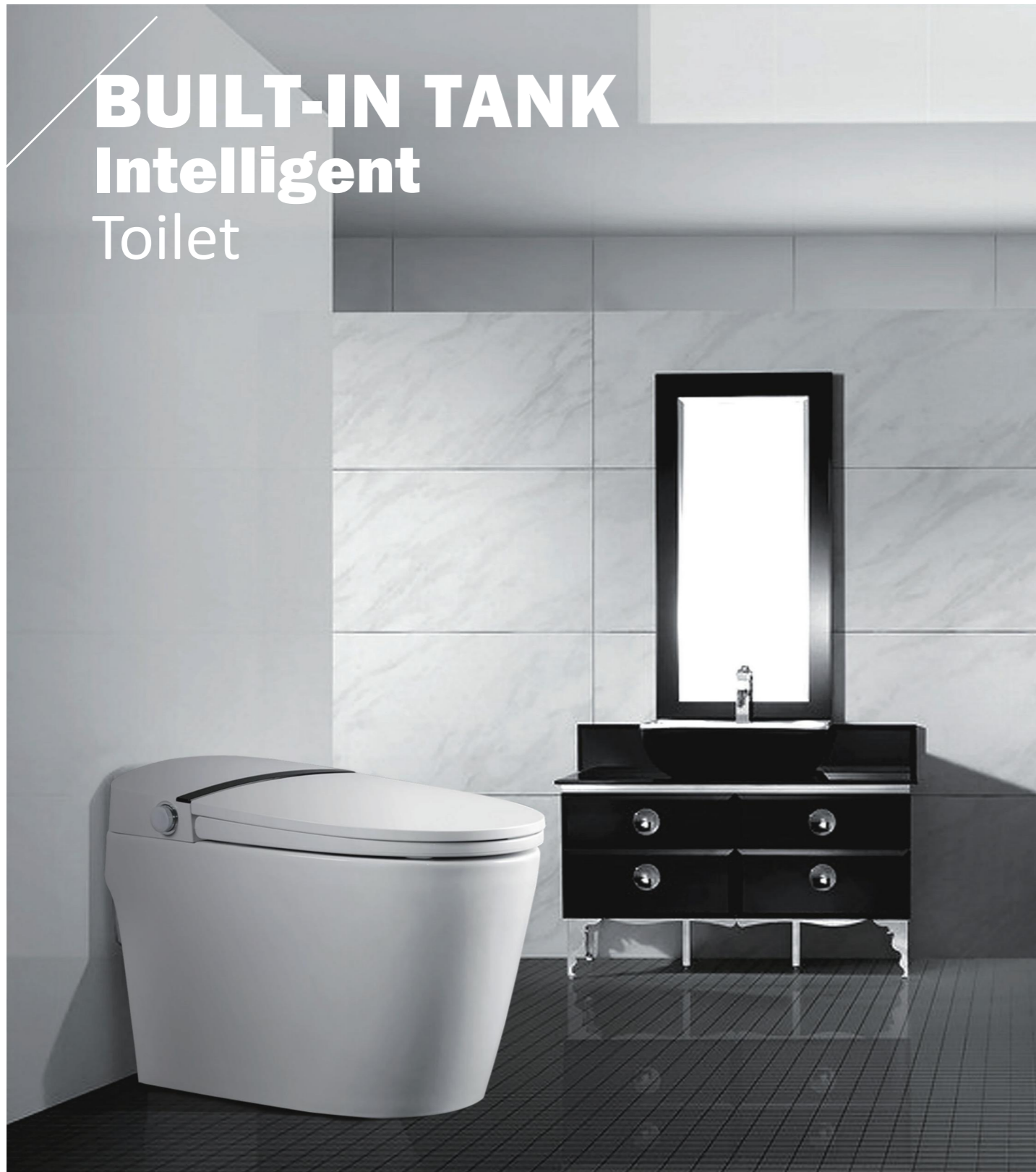
Inventive Anti dirty fill valve



SUITABLE FOR ALL WATER  
ENVIRONMENT

- **PATENTED LOW PRESSURE FLUSH TECHNOLOGY**  
Under extremely low water pressure (0.01Mpa), the toilet can flush normally
- **PATENTED MECHANICAL SCOUR SWITCHING MECHANISM**  
Never be affected by water quality and pressure, it is reliable and durable

# BUILT-IN TANK Intelligent Toilet



1 / Invention patented mechanical flush switching system reliable and durable.

2 / Inventive Anti-dirty(fill valve)self-cleaning technology-Never be affected by water pressure and quality

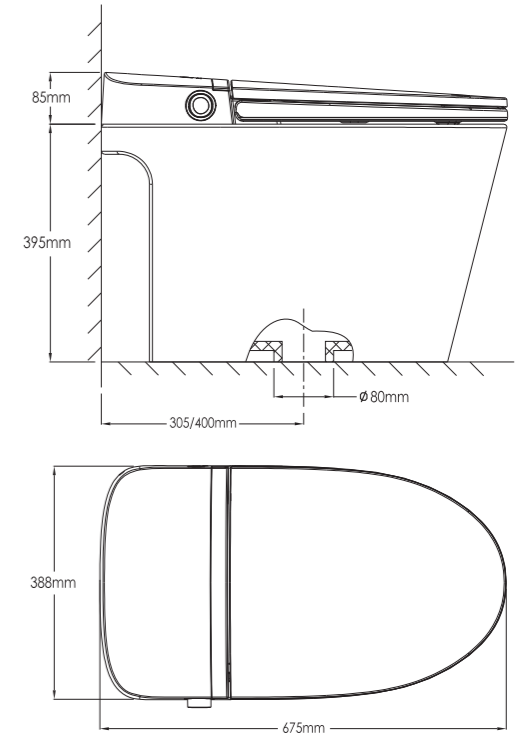
3 / Water saving:only 4.3-4.5L water consumption-powerful flushing even at 0 bar pressure

4 / Foot sensor flushing

5 / Flushing function works when outage

6 / Nine-layer security protection to ensure safe

7 / Follow the following standard:  
GB/ T 34549-2017  
GB 25502-2017  
GB 4706.1-2005  
GB 4706.53-2008

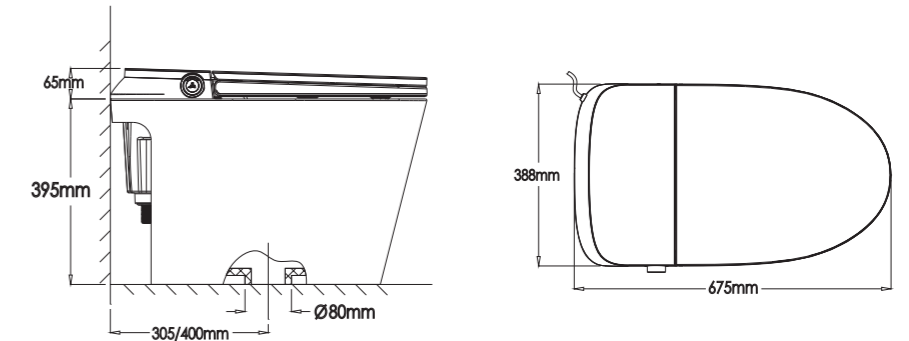


Item No. ZY02	
Size	675*388*480mm(include toilet height) / 675*388*85(Seat Cover)
Power	Maximum 1800W,Rated 1200W
Power Supply	AC voltage 220±15%V 50H/60Hz
Inlet Pressure	0.01MPa(Dynamic Pressure)-1.0Mpa(static pressure)
Color	White
Flushing Volume	4.3-4.5L (Single Flush)
Rough-in	250 / 305 / 400mm
Drainage method	S-Trap
Operation method	Remote control or side manual knob control
Opening method	manual

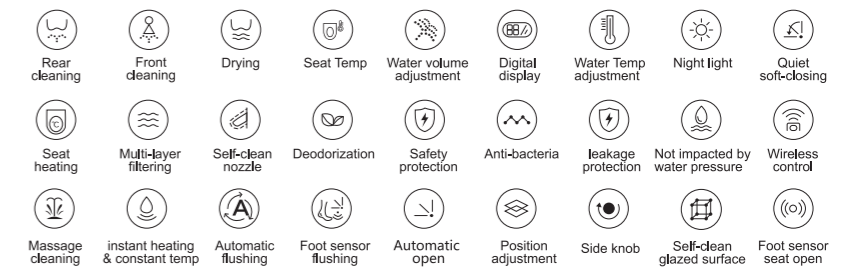
# BUILT-IN TANK Intelligent Toilet



- Toughened glass is used in the back shell of the product, which instantly improves the grade and flavor of the product. LED display makes products better qualified.
- 产品外壳采用钢化玻璃，瞬间提升产品档次和韵味；LED显示屏让产品更具品质。



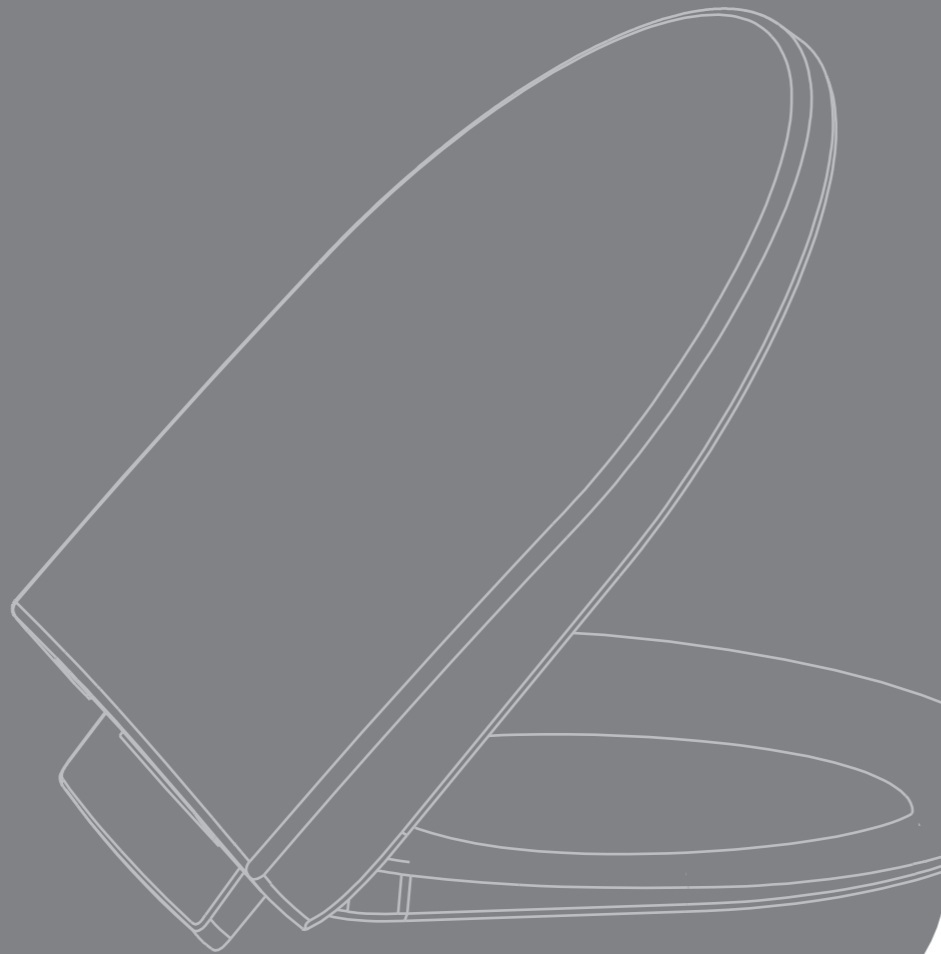
## FUNCTION /



Item No. ZY03	
Size	675*388*460mm(include toilet height) / 675*388*65(Seat Cover)
Power	Maximum 1800W, Rated 1200W
Power Supply	AC voltage 220±15%V 50H/60Hz
Inlet Pressure	0.01MPa(Dynamic Pressure)-1.0Mpa(static pressure)
Color	White
Flushing Volume	4.3-4.5L (Single Flush)
Rough-in	250 / 305 / 400mm
Drainage method	S-Trap
Operation method	Remote control or side manual knob control
Opening method	automatic

# HIGH QUALITY SEAT COVER

Safe and easy to clean



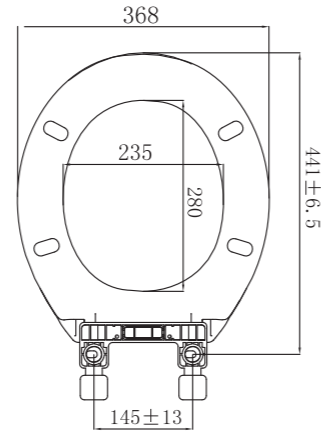
- Quiet slow down design
- Easy Install



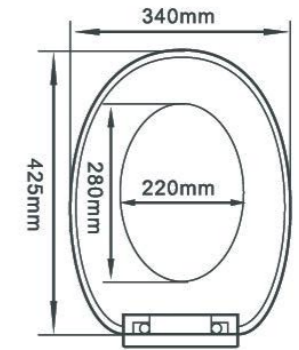
# Toilet seat cover



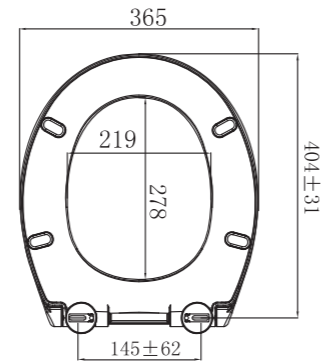
<b>T398</b> seat cover	Item No.	T398
	Size	441x368mm
	Material	100% New PP
	Weight	1.20kg



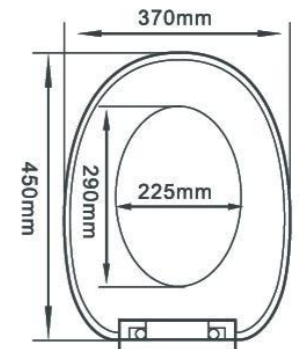
<b>T1004</b> seat cover	Item No.	T1004
	Size	425x340mm
	Material	100% New PP
	Weight	1.40kg



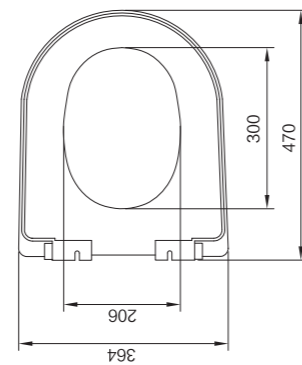
<b>T392</b> seat cover	Item No.	T392
	Size	404x365mm
	Material	100% New PP
	Weight	1.20kg



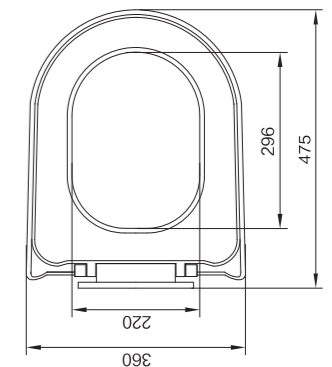
<b>T1014</b> seat cover	Item No.	T1014
	Size	450x370mm
	Material	100% New PP
	Weight	1.42kg



<b>T3001</b> seat cover	Item No.	T3001
	Size	470x364mm
	Material	UF
	Weight	3.0kg



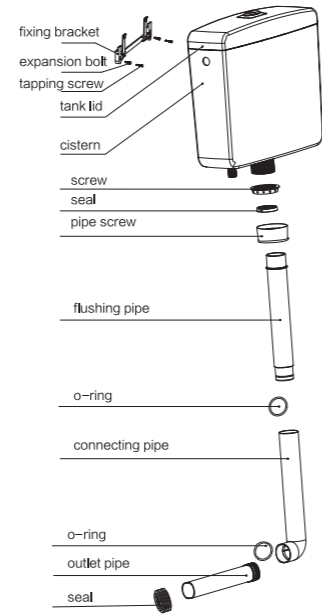
<b>T1010</b> seat cover	Item No.	T1010
	Size	475x360mm
	Material	100% New PP
	Weight	1.7kg







# Plastic Cistern



Flush volume: 4.5/9L  
 Hot Style  
 Easy to install  
 Smooth operation, light force to activate flushing  
 1.5" / 2" available  
 Size: 372x133x415mm ( L x W x H)

## N5100



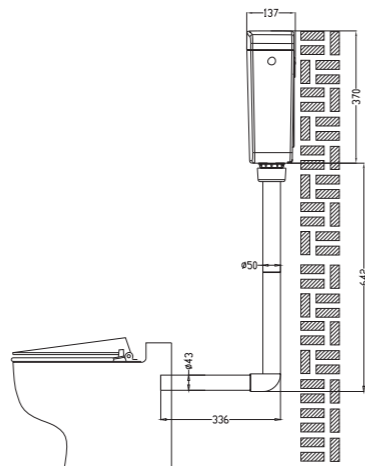
Square button with light force



Bottom Inlet



Tank lid with round button for option.



**L1001**  
Side Push Button



**L1002**  
Side Lever



**L1003**  
Front Lever



**L1006**  
Side Lever



**L1008**  
Front Lever



**P1306** | Side Lever  
Dia.38mm



# Push Button



P1301 | Push Button  
Single Push Button  
Dia. 38



P1302 | Push Button  
Single Top Push Button  
Dia. 38



P1303 | Push Button  
Single Top Push Button  
Dia. 38



P1401 | Push Button  
Single Top Push Button  
Dia. 48



P1305 | Push Button  
Single Top Push Button  
Dia. 38mm



P2310 | Push Button  
Dual Top Push Button  
Dia. 38mm



P2403 | Push Button  
Dual Top Push Button  
Dia. 48



P2404 | Push Button  
Dual Top Push Button  
Dia. 48



P2507 | Push Button  
Dual Top Push Button  
Dia. 58mm



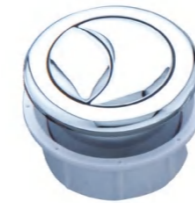
P2311 | Push Button  
Cable Dual Push Button  
Dia. 48



P2607 | Push Button  
Dual Top Push Button



P2606 | Push Button  
Dual Top Push Button



P2301 | Push Button  
Dual Top Push Button  
Dia. 38



P2401 | Push Button  
Dual Top Push Button  
Dia. 48



P2402 | Push Button  
Dual Top Push Button  
Dia. 48



P2505 | Push Button  
Dual Top Push Button  
Dia. 58



P2506 | Push Button  
Dual Top Push Button  
Dia. 58



P2502 | Push Button  
Dual Top Push Button  
Dia. 58



P2604 | Push Button  
Dual Top Push Button



P2602 | Push Button  
Dual Top Push Button



P2302 | Push Button  
Cable Dual Push Button  
Dia. 38



P2304 | Push Button  
Cable Dual Push Button  
Dia. 38



P2503 | Push Button  
Cable Dual Push Button  
Dia. 58



P2504 | Push Button  
Cable Dual Push Button  
Dia. 58



P2303 | Push Button  
Dual Top Push Button  
Dia. 38



P2305 | Push Button  
Dual Top Push Button  
Dia. 38



P2601 | Push Button  
Dual Top Push Button



# BOLTS & Gasket

# BOLTS & Gasket



**N2001** | POM Bolts  
M10 \* 75 / M10 \* 100



**N2004** | POM Bolts  
M10 \* 75



**N2002** | Brass Bolts  
M8 \* 80



**N2003 -01** | Stainless Steel Bolts  
M6 \* 75



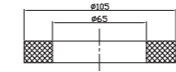
**N2003 -02** | Brass Plated Iron Bolts  
M6 \* 75



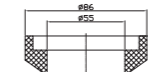
**N2003 -03** | Zinc Plated Iron Bolts  
M6 \* 75



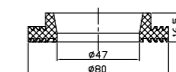
**D058** | Accessories  
Dia.Φ105xΦ65x15



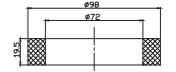
**D064** | Accessories  
Dia.Φ86xΦ55x28



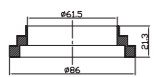
**D089** | Accessories  
Dia.Φ80xΦ47x16.5



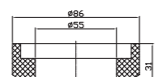
**D113** | Accessories  
Dia.Φ98xΦ72x19.5



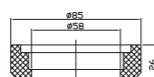
**D031** | Accessories  
Dia.Φ86xΦ61.5x21.3



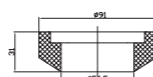
**D035** | Accessories  
Dia.Φ86xΦ55x31



**D037** | Accessories  
Dia.Φ85xΦ58x26



**D055** | Accessories  
Dia.Φ91xΦ56.5x31





# ACCESSORIES

# ACCESSORIES



**N1024** | Accessories  
G1/2" Adapter and filter



**N1034** | Accessories  
G15/16" to G1/2" Adapter and filter



**N1054** | Accessories  
G1/2" to G3/8" Adapter and filter



**N9002** | Accessories  
G15/16" External overflow pipe



**N9001** | Accessories  
G1/2" External overflow pipe



**N9003** | Accessories  
G1/2" Filling Connector



**A060** | Accessories  
Inside Filter  
For G3/8" inlet valve



**A115** | Accessories  
Inside Filter  
For G3/8" inlet valve



**A022** | Accessories  
Inside Filter  
For G1/2" inlet valve



**EG102** | Accessories  
Plug



**N3001** | Accessories  
Adjustable refill plug



**N3002** | Accessories  
Adjustable refill plug



**B248** | Accessories  
Adaptor to 2" outlet flush valve  
For 1.5" outlet flush valve



**N8002** | Accessories  
G1 / 2" Plug



**N8001** | Accessories  
G3 / 8" Plug

# ACCESSORIES



**N2006-01** Accessories  
Twin screw Bolt



**B343** Accessories  
Push Button Rod  
Length: 110mm



**D066** Accessories  
2" PVC Flapper



**B194** Accessories  
Push Button Rod  
Length: 215mm

# PART OF HONORS

部分荣誉

